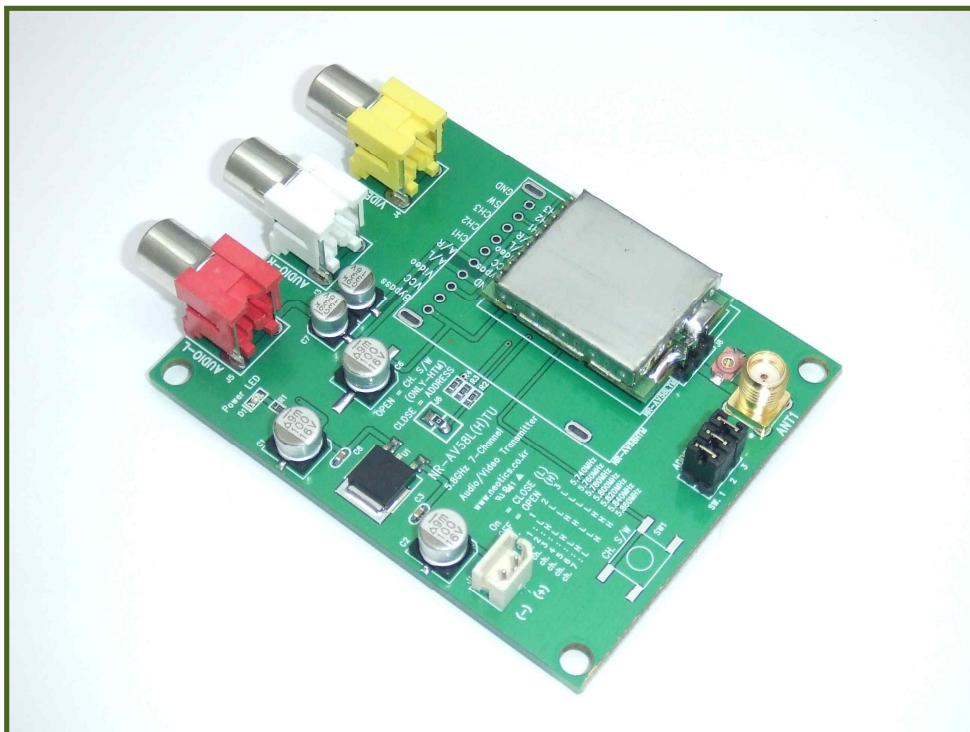


5.8GHz Video/Audio Transmitter Unit

Max 10mW

NR-AV58LTU Ver 7.0

Related Products : NR-AV58HTU (5.8GHz A/V Transmitter Unit 100mW)
NR-AV58HTM (5.8GHz A/V Transmitter Module 100mW)
NR-AV58LTM (5.8GHz A/V Transmitter Unit 10mW)
NR-AV58RM (5.8GHz A/V Receiver Module)
NR-AV58RU (5.8GHz A/V Receiver Unit)
NR-AV58PT, PR (5.8GHz Long Distance A/V TX, RX)



1. 5.8GHz Video/Audio Transmitter Evaluation Unit.

- * NR-AV58LTU is a 5.8 GHz Video/Audio(stereo) Transmitter for ISM band.
- * NR-AV58LTU can transmit both NTSC and PAL video signals wirelessly so that CCTV/VTR/ Video camera may be used in the places where wired connection is not available.
- * NR-AV58LTU, being able to transmit both NTSC and PAL, can be used for Korean as well as foreign products design, without alteration of module.
- * NR-AV58LTU adopts FM-method modulation/demodulation for high quality wireless video/audio transmission, so you get clearer picture and higher sound quality.
- * NR-AV58LTU is developed as IC chip dedicated to video/audio transmission, minimizing the components use. It can work on low power as well.
- * NR-AV58LTU, being developed in such a way as PLL Synthesizer, supplies stable frequency, and also can alter frequency into maximum 7 transmit channels.

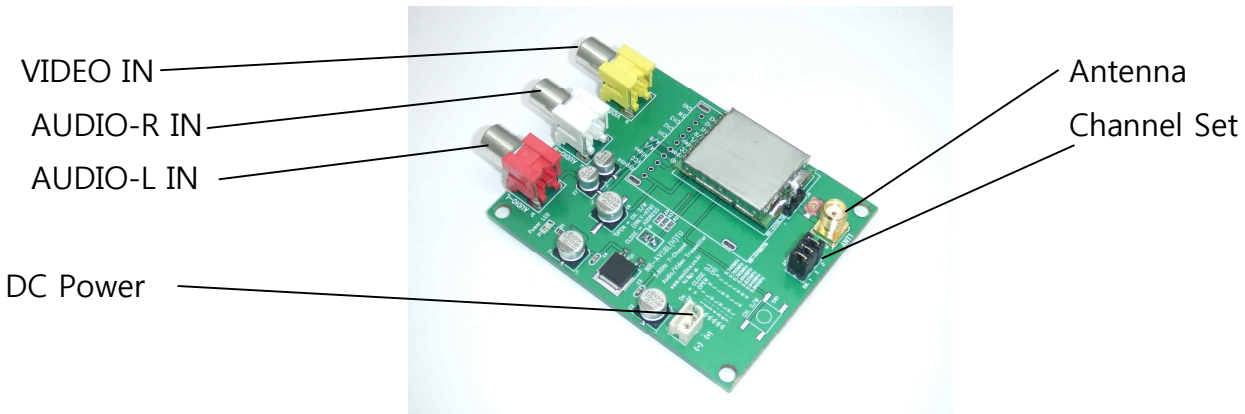
2. Features & Applications.

- . Clearer picture and higher sound quality, using 5.8 GHz
- . Transmission of video and audio signals.
- . Transmits both NTSC/PAL signals.
- . Supplies stable frequency as PLL Synthesizer, and can avail maximum 7 different channels.
- . Requiring only a few components around the module, it is easy to apply.

3. Evaluation Unit Specification.

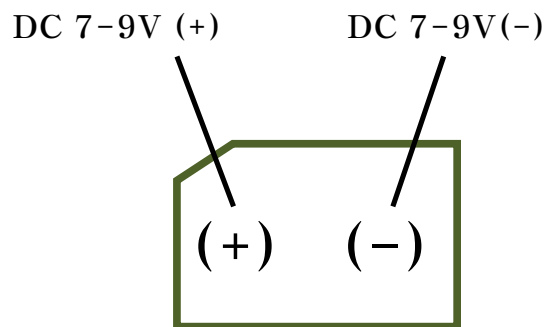
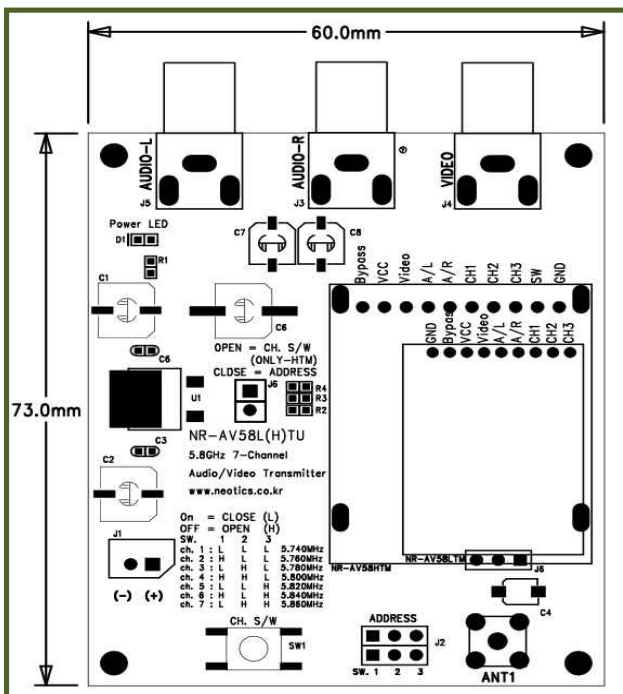
Item	Specification
Supply Voltage	DC 7~9V
Supply Current	Under 130mA
Channel(MAX)	7-Channel
RF Output Power	Under 10dBm.
Antenna Impedance	50Ω
Video Input Level	1Vp-p, typ
Audio Input Level	3Vp-p, max
Frequency	5.740GHz, 5.760GHz 5.780GHz, 5.800GHz 5.820GHz, 5.840GHz 5.860GHz

4. 5.8GHz Video/Audio Transmitter Evaluation Unit Description .

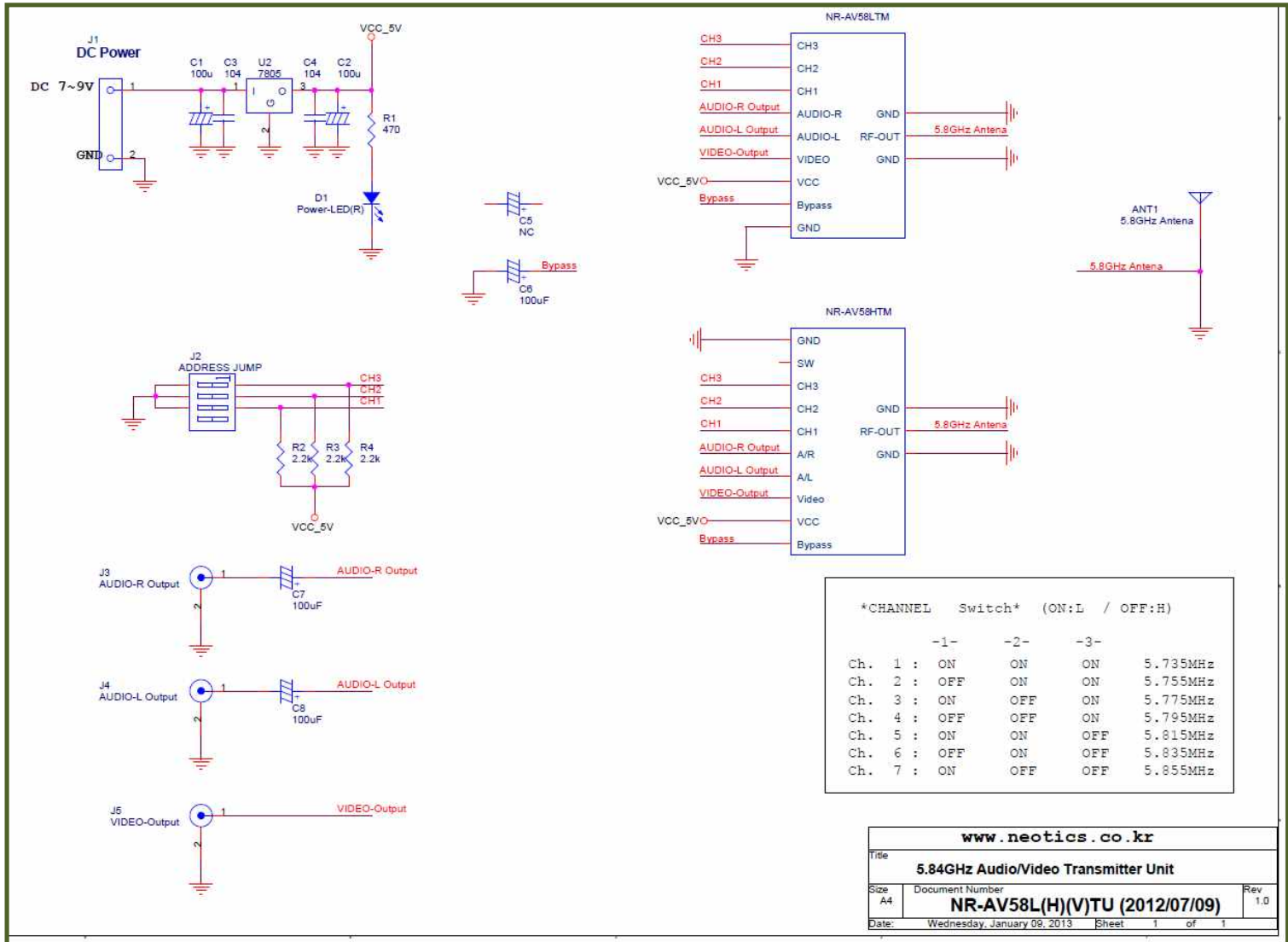


- . VIDEO IN : Input video signal.
- . AUDIO-R IN : Input right audio stereo signal.
- . AUDIO-L IN : Input left audio stereo signal.
- . Antenna : connect antenna for 5.8GHz.
- . Channel Set : Set transmit channel.
(Please See the Frequency Set Table On The PCB)
- . DC Power : Input Power DC 9~12V

5. Evaluation Unit Size & Power Terminal Information.



6. 5.8GHz Video/Audio Transmitter Evaluation Unit Circuit



******* Caution*******

1. Check the features first to connect with other equipment.
2. This circuit is strictly tested.
3. The developer, manufacturer or dealer is not responsible for any malfunctioning/damage caused by connection with other equipment.
4. Appropriate permit /approval is required for some products utilizing this module, depending on functions and usages.

***For more information and inquiry, please refer to the sites below.**

R&D : <http://www.neotics.co.kr>
 Sales : <http://www.logiccamp.co.kr>

E-Mail : neotics@neotics.co.kr
 E-Mail : sales@logiccamp.co.kr