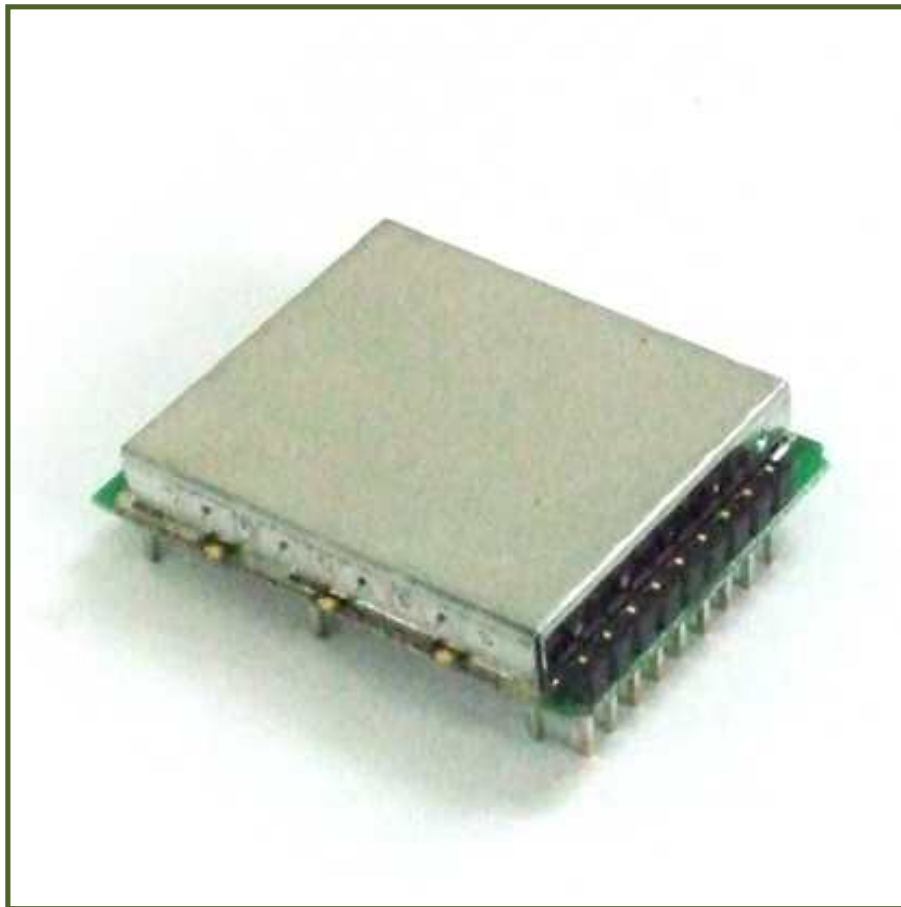


# 5.8GHz Video/Audio Receiver Module

## NR-AV58RM Ver 7.0

Related Products : NR-AV58HTU (5.8GHz A/V Transmitter Unit 100mW)  
NR-AV58HTM (5.8GHz A/V Transmitter Module 100mW)  
NR-AV58LTU (5.8GHz A/V Transmitter Unit 10mW)  
NR-AV58LTM (5.8GHz A/V Transmitter Module 10mW)  
NR-AV58RU (5.8GHz A/V Receiver Unit)  
NR-AV58PT, PR (5.8GHz Long Distance A/V TX, RX)



### 1. 5.8GHz Video/Audio Receiver Module.

- \* NR-AV58RM is a 5.8 GHz Video/Audio(stereo) Receiver for ISM band.
- \* NR-AV58RM can receive both NTSC and PAL video signals wirelessly so that CCTV/VTR/ Video camera may be used in the places where wired connection is not available.
- \* NR-AV58RM, being able to receive both NTSC and PAL, can be used for Korean as well as foreign products design without alteration of module.
- \* NR-AV58RM adopts FM-method modulation/demodulation for high quality wireless video/audio reception, so you get clearer picture and higher sound quality.
- \* NR-AV58RM is developed as IC chip dedicated to video/audio reception, minimizing the components use. It can work on low power as well.
- \* NR-AV58RM, being developed in such a way as PLL Synthesizer, supplies stable frequency, and also can alter frequency into maximum 7 receive channels.

### 2. Features & Applications.

- . Clearer picture and higher sound quality, using 5.8 GHz
- . Transmission of video and audio signals.
- . Transmits both NTSC/PAL signals.
- . Supplies stable frequency as PLL Synthesizer, and can avail maximum 7 different channels.
- . Requiring only a few components around the module, it is easy to apply.

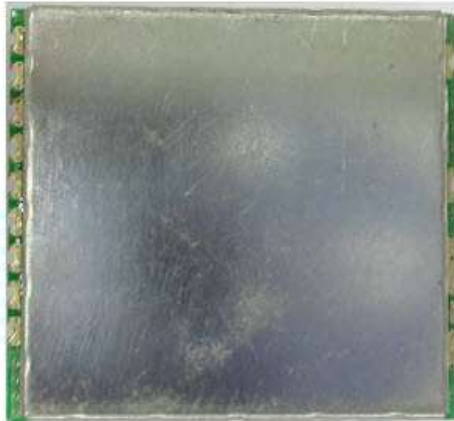
### 3. 5.8GHz Video/Audio Receiver Module Specification.

Item	Specification
Supply Voltage	DC 5V
Supply Current	Under 170mA
Transmitter Channel(MAX)	7-Channel
Video S/N Ratio(100KHz 1Vp-p)	40dB min
Video Output Signal Level	1Vp-p (+/-0.2Volt)
Video Frequency Response	+/-5dB, max 50Hz~5.5Mhz
Audio Output frequency Range	50Hz~20KHz
Audio Output Level	2Vp-p
Frequency	5.740GHz, 5.760GHz, 5.780GHz, 5.800GHz 5.820GHz, 5.840GHz, 5.860GHz

### 4. 5.8GHz Video/Audio Receiver Module Pin.

**PIN Define (Top View)**

Pin 01	VCC		
Pin 02	Bypass		
Pin 03	GND		
Pin 04	Audio_R		
Pin 05	Audio_L		
Pin 06	Video		
Pin 07	CH3		
Pin 08	CH2		
Pin 09	CH1		
		GND	Pin 10
		RF IN	Pin 11
		GND	Pin 12



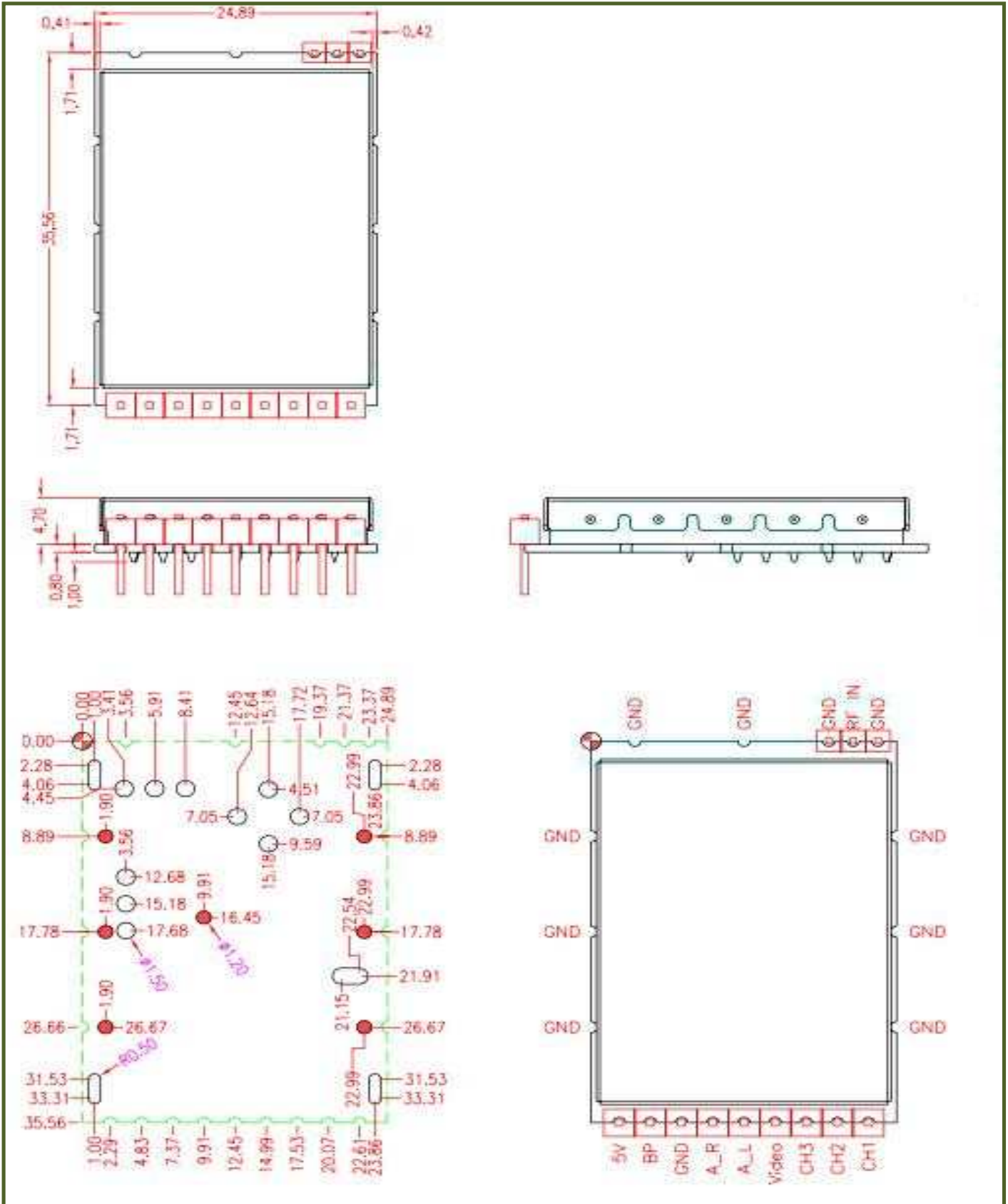
**PIN Descriptions:**

PIN	NAME	Descriptions
01	VCC	DC +5V power supply in <sup>1</sup> .
02	BYPASS	Bypass capacitor.
03	GND	Ground.
04	Audio_R	Right sound signal output.
05	Audio_L	Left sound signal output.
06	Video	Video signal output.
07	CH3	Channel select.
08	CH2	Channel select.
09	CH1	Channel select.
10	GND	Ground.
11	RF IN	RF received signal input

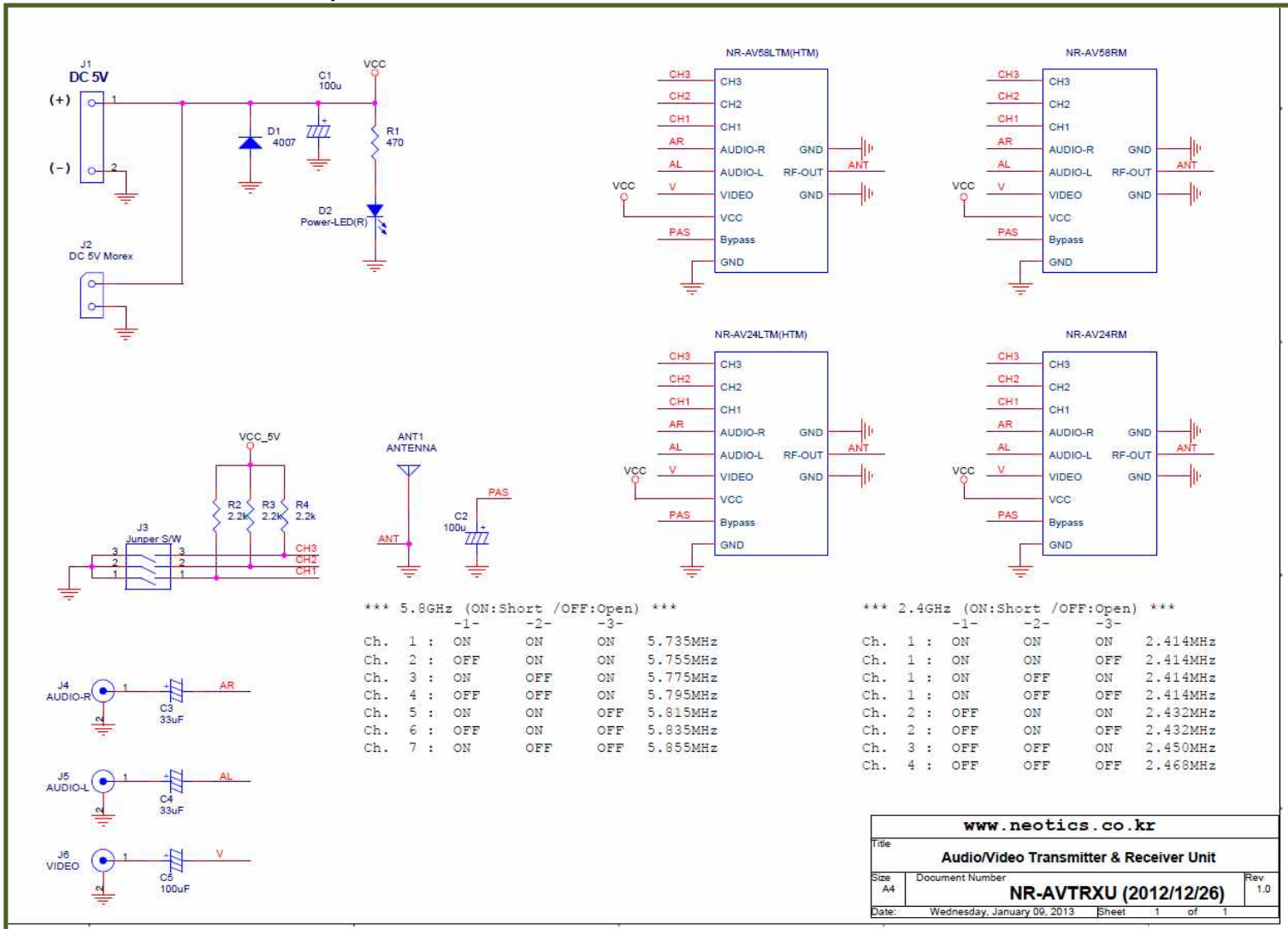
Table1:

Pin07	Pin08	Pin09	Descriptions	Receiver Frequency
B2	B1	B0		
0	0	0	Pin 07, Pin 08, Pin 09 connect to GND.	5740MHz (CH1)
0	0	1	Pin 07 and Pin 08 connect to GND, Pin 09 OPEN.	5760MHz (CH2)
0	1	0	Pin 07 and Pin 09 connect to GND, Pin 08 OPEN.	5780MHz (CH3)
0	1	1	Pin 07 connect to GND, Pin 08 and Pin 09 OPEN.	5800MHz (CH4)
1	0	0	Pin 08 and Pin 09 connect to GND, Pin 07 OPEN.	5820MHz (CH5)
1	0	1	Pin 08 connect to GND, Pin 07 and Pin 09 OPEN.	5840MHz (CH6)
1	1	0	Pin 09 connect to GND, Pin 07 and Pin 08 OPEN.	5860MHz (CH7)

5. 5.8GHz Video/Audio Receiver Module Size.



### 6. 5.8GHz Video/Audio Receiver Module Test Circuit.



**\*\*\*\*\* Caution\*\*\*\*\***

1. Check the features first to connect with other equipment.
2. This circuit is strictly tested.
3. The developer, manufacturer or dealer is not responsible for any malfunctioning/damage caused by connection with other equipment.
4. Appropriate permit /approval is required for some products utilizing this module, depending on functions and usages.

● For more information and inquiry, please refer to the sites below.

R&D : <http://www.neotics.co.kr>  
 Sales : <http://www.logiccamp.co.kr>

E-Mail : [neotics@neotics.co.kr](mailto:neotics@neotics.co.kr)  
 E-Mail : [sales@logiccamp.co.kr](mailto:sales@logiccamp.co.kr)