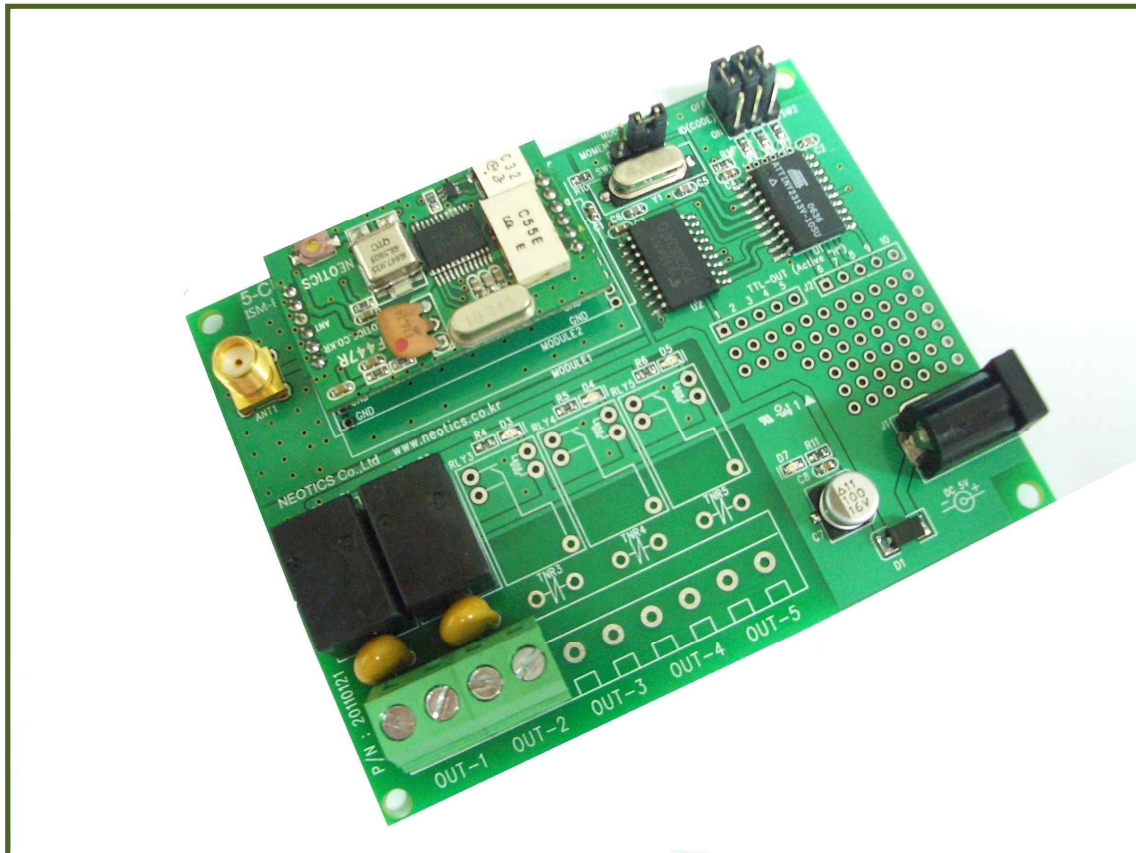


# Wireless Remote Switch Receiver Unit

## 5-Channel, (Max 10-Channel)

**NR-F5RCR Ver 7.0**

Related Products : NR-F5RCT(Wireless Remote Switch Transmitter Unit)



## **1. 5-Channel Wireless Remote Switch Unit.**

- \* This is a wireless remote control receiver that can operate or turn on/off maximum 10 electric/electronics equipments.
- \* In general, it is wireless communication method among all that is mostly used to communicate or to remote control. For instance, remote starting system of automobiles or home lightings, TV, stereo systems are the examples of wireless data receiver devices.
- \* Wireless system makes it easier to use/control various daily electronic devices such as automatic door, electric heater, robot products, etc.

## **2. Features.**

- . No wiring work required, unlike wired communication method.
- . Cost/time for wiring work not required.
- . With operating voltage-5V, it can be applied into battery-run products.
- . Miniature sized, not to affect the size of your product.
- . Each module has 8 different identification codes to prevent crossing.

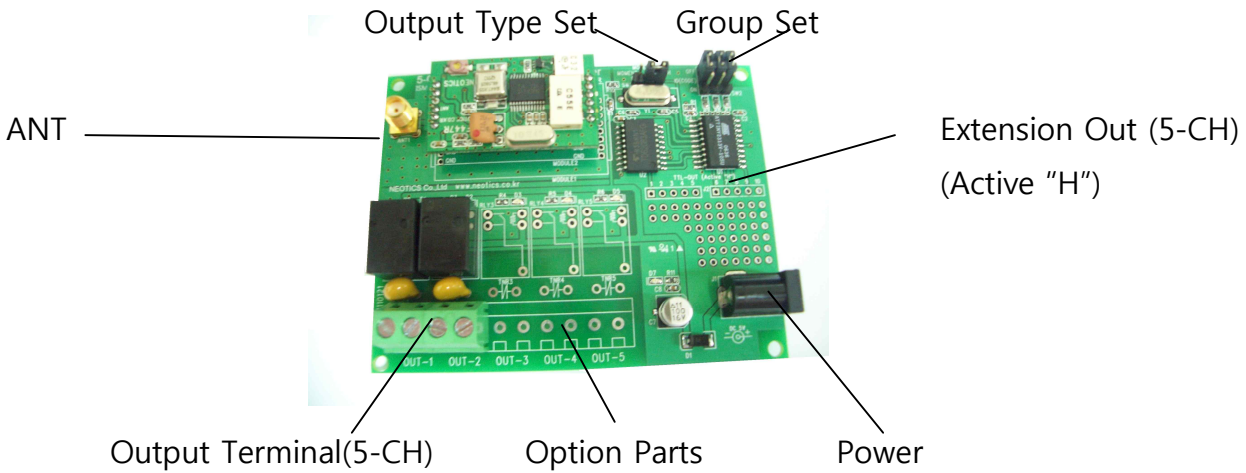
## **3. Applications.**

- . Remote controlling of home electric/electronic devices.
- . Automatic curtain, fluorescent lamp, personal locker, electron key, automatic door etc.
- . Machinery power on/off, crane operation, sensor, automatic alarm etc.

## **4. 5-Channel Wireless Remote Switch Unit Specification.**

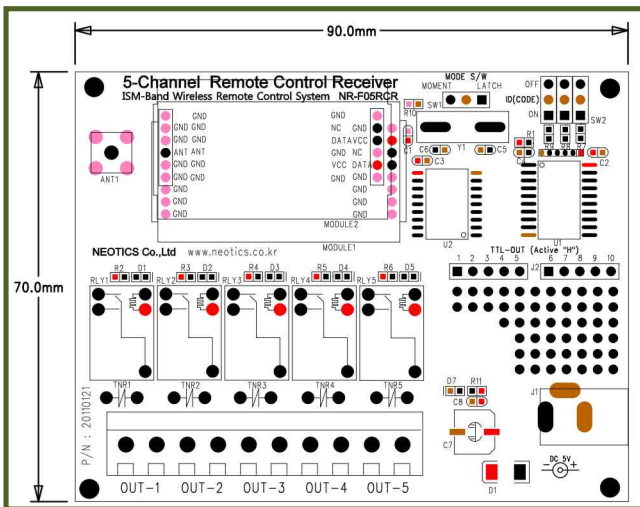
Item	Specification
POWER	DC 5V
Current	Under 130mA
Frequency	447MHz Band
Output	5-Channel (Max 10-Channel)
Group Set	8 Group Set
Output	Relay Output
Output Type	Latch / Push

### 5. 5-Channel Wireless Remote Switch Unit Information.

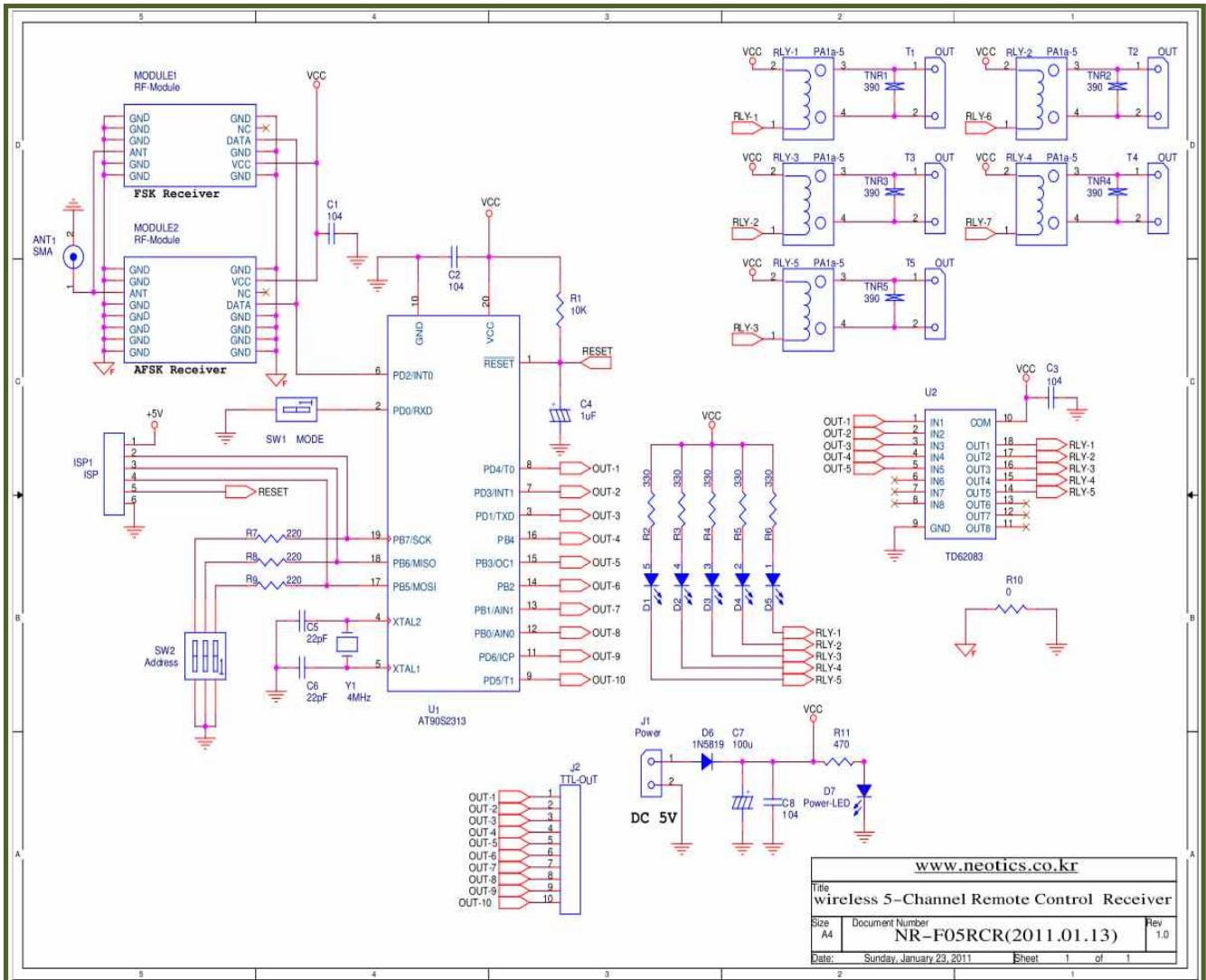


- . Group Set : Set the Control Group (Group-ID)....Jumper 3-Bit ( 8 Group : 0,0,0 ~ 1,1,1..... Jumper Set).
- . Output Type : 1. Latch ("L") ..... Change the Output ON / OFF  
2. Push("M") ..... Output ON, During the Transmitter Push Switch.
- . ANT : Connect Antenna
- . Output Terminal : Relay Output Terminal 5-Channel.
- . Option Parts : Can You Buy the Option Extension Parts ( Relay, TNR, Terminal )
- . Power : Input Power DC 5V
- . Extension Out : Extension Output 5-Channel ( TTL Level (Active "H"), Max 10-Channel )

### 6. 5-Channel Wireless Remote Switch Unit Size.



7. 5-Channel Wireless Remote Switch Unit Circuit.



\*\*\*\*\* Caution\*\*\*\*\*

1. Check the features first to connect with other equipment.
2. This circuit is strictly tested.
3. The developer, manufacturer or dealer is not responsible for any malfunctioning/damage caused by connection with other equipment.
4. Appropriate permit /approval is required for some products utilizing this module, depending on functions and usages.

● For more information and inquiry, please refer to the sites below.

R&D : <http://www.neotics.co.kr>  
 Sales : <http://www.logiccamp.co.kr>

E-Mail : [neotics@neotics.co.kr](mailto:neotics@neotics.co.kr)  
 E-Mail : [sales@logiccamp.co.kr](mailto:sales@logiccamp.co.kr)