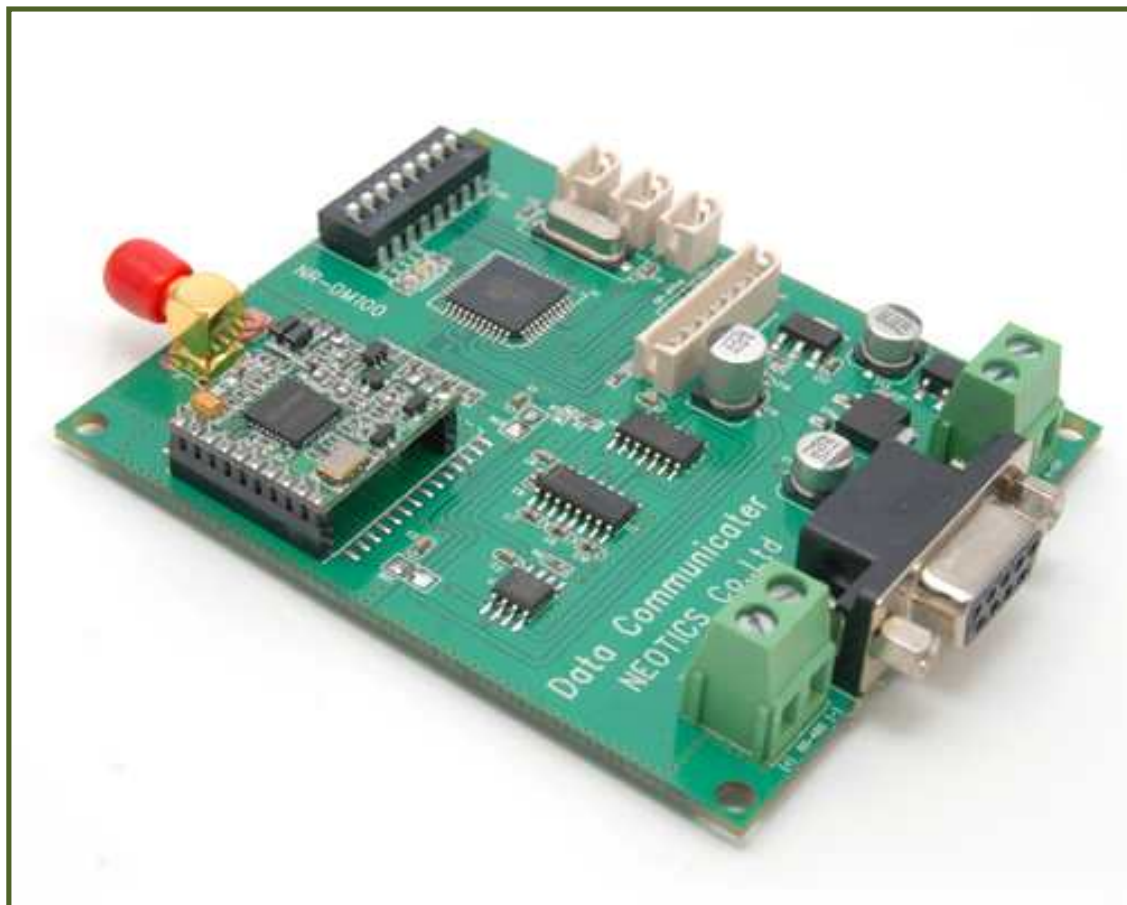


Wireless Pen-Tilt Controller Modem

RS-232 & 485 Interface

NR-DM100 Ver 7.0



1. Wireless Pen-Tilt Controller Modem.

- * This unit can convert wired surveillance camera, heavy machinery or crane into wireless (RF) to operate.
- * This unit is to control and communicate data of Pen & Tilt. It supports RS-232C and RS-485, being able to set reception/transmission separate or combined.
- * You can directly connect it with Pen & Tilt (RS-232C or RS-485) that is used to transmit data, to remote control or to operate crane, surveillance camera etc.
- * In the form of One Board(PCB), it doesn't need complicated interface circuit, thus is easily applicable to your products.

2. Features.

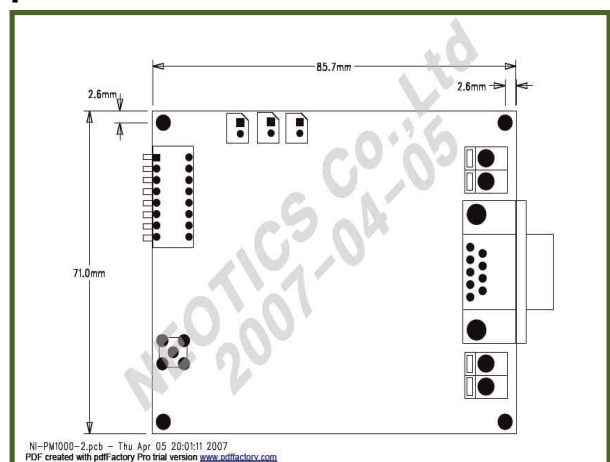
- . Direct connection with Pen & Tilt
- . Wireless communication, being connected with crane or other communication devices.
- . Separate or combined reception/transmission.
- . You can set maximum 8 communication frequencies.
- . In the form of One Board, it is easily applicable to your products.

3. Applications.

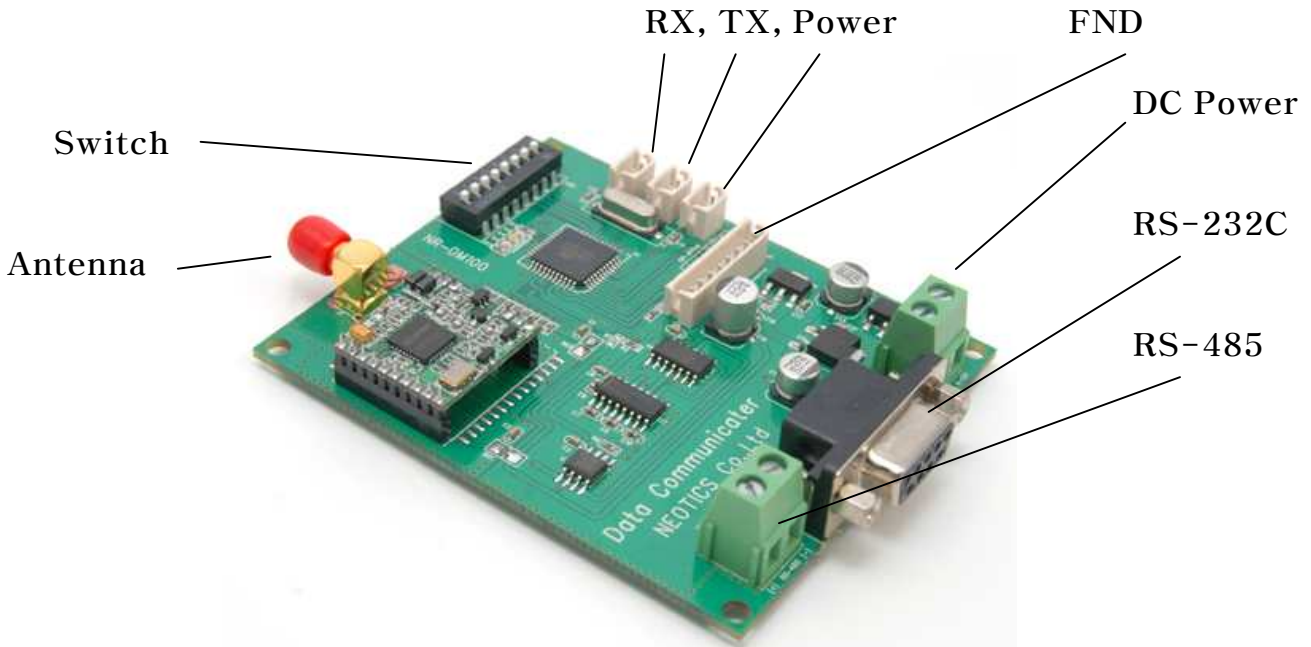
- . Wireless control of surveillance camera
- . Data reception/transmission of crane and other communication devices.

4. Wireless Pen-Tilt Controller Modem Specification.

Item	Specification
Power	DC 12V
Current	Under 60mA
Communication	RS-232C, RS-485
Communication Speed	2400bps ~ 9600bps
Frequency	424 / 447MHz Band
Modulation	GFSK



4. Wireless Pen-Tilt Controller Modem Description.



- * RS-232C : Connect to Pen-Tilt controller of RS-232C communication method.
- * RS-485 : Connect to Pen-Tilt controller of RS-485 Communication method.
- * DC Power : Connect to power DC 12V
- * FND : Connect to exterior case FND, indicates Frequency Channel.
- * TX, RX, Power : Connect to exterior case LED, indicates transmitting, Receiving, Power ON.
- * Antenna : Connect 447(424) MHz band antenna.
- * Switch : function setting. (ON of function switch turns into Shot.)
 - Switch no. 1 Select RS-232C or RS-485
(ON : RS-232C, OFF : RS-485)
 - Switch no. 2 Select transmission/reception
(ON : Transmission only OFF : Reception only)
 - Switch no. 3/4 Set communication speed
(OFF/OFF : 2400bps, OFF/ON : 4800bps, ON/OFF : 9600bps, ON/ON : 9600bps)
 - Switch no. 5 Set communication mode
(OFF : Separate transmission/reception (switch no. 2 applied)
(ON : transmission/reception combined (two-way))

Switch no. 6, 7, 8 Set transmission/reception frequencies.

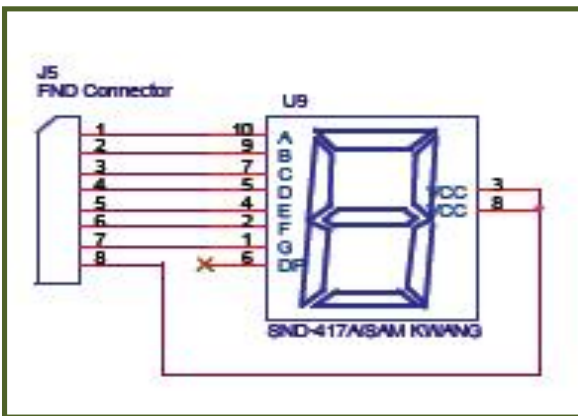
Switch 6	Switch 7	Switch 8	Frequency	Channel
OFF	OFF	OFF	447.8625MHz	CH-1
OFF	OFF	ON	447.8750MHz	CH-2
OFF	ON	OFF	447.8875MHz	CH-3
OFF	ON	ON	447.9000MHz	CH-4
ON	OFF	OFF	447.9125MHz	CH-5
ON	OFF	ON	447.9250MHz	CH-6
ON	ON	OFF	447.9375MHz	CH-7
ON	ON	ON	447.9500MHz	CH-8

** Frequency is can be changed user' order.

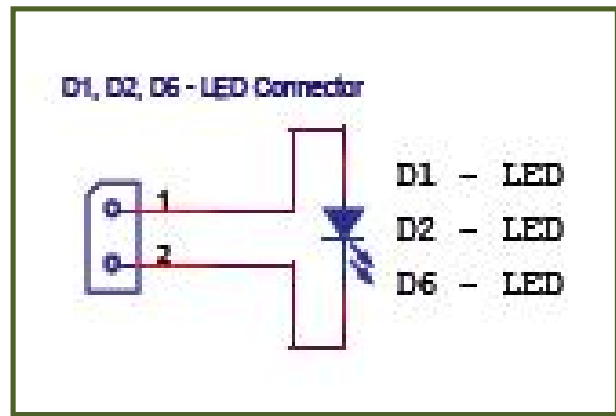
** Please Set Pin-4 ON, pin-5 OFF, if when Test transmit.

5. Wireless Pen-Tilt Controller Modem Explanation of Switch Connecting.

Connect FND for case



Connect LED for case



******* Caution*******

1. Check the features first to connect with other equipment.
2. This circuit is strictly tested.
3. The developer, manufacturer or dealer is not responsible for any malfunctioning/damage caused by connection with other equipment.
4. Appropriate permit /approval is required for some products utilizing this module, depending on functions and usages.

● For more information and inquiry, please refer to the sites below.

R&D : <http://www.neotics.co.kr>

E-Mail : neotics@neotics.co.kr

Sales : <http://www.logiccamp.co.kr>

E-Mail : sales@logiccamp.co.kr