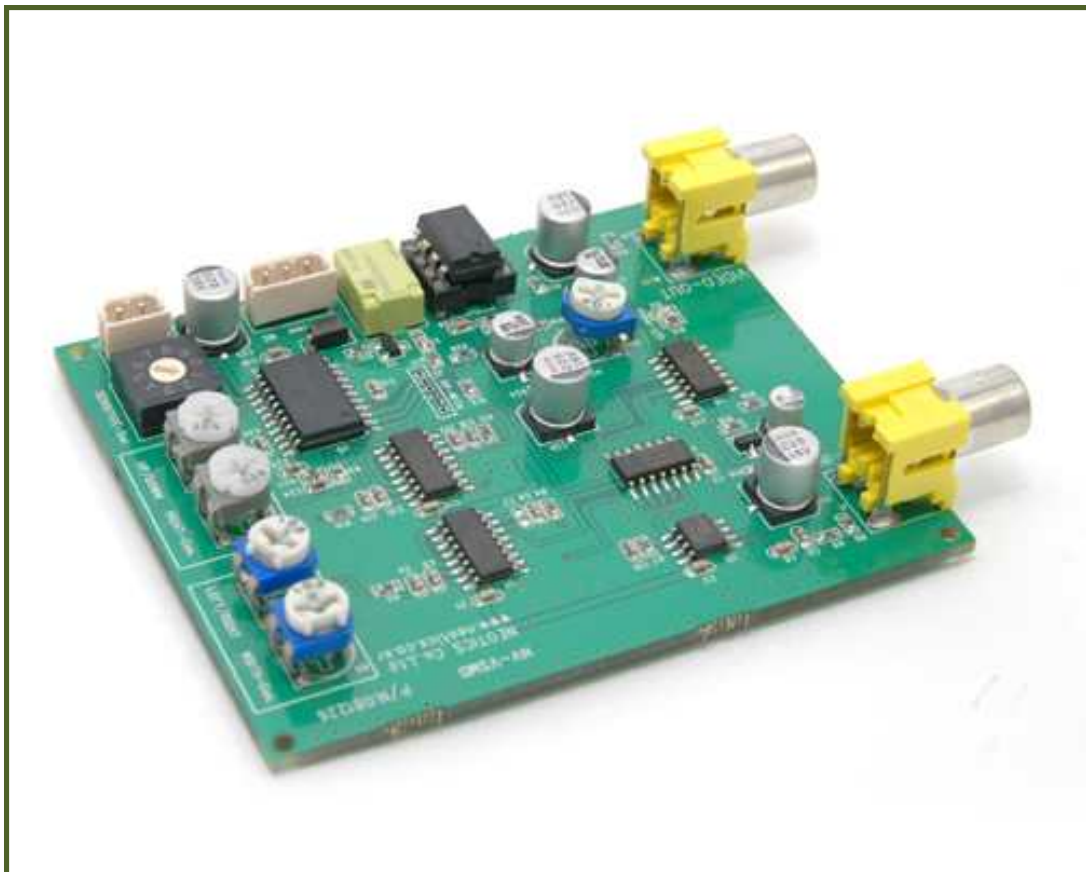


Video Screen Motion(Change) Detector Unit

NV-VSMD Ver 7.0



1. Video Screen Motion(Change) Detector Unit.

- * NV-VSMD is an unmanned video screen automatic motion detector circuit that can start recording on detecting any screen motion change within preset area on CCTV, VTR, etc. (This circuit can be used as an alarm device like alarm call or auto video recording, being able to detect any screen motion change within a certain range preset by the user.)
- * NV-VSMD, equipped with direction control volume(right/left, up/down) as well as size control volume, can detect any movement itself on the full screen or on the specified range by the user.
- * NV-VSMD, equipped with sensitivity control volume that can set the degree of motion changes on the specified range, can cope with fast/slow motion changes.
- * NV-VSMD with the built-in relay, on detecting any motion change, can raise an alarm, start recording or signal the user by utilizing the relay contact.

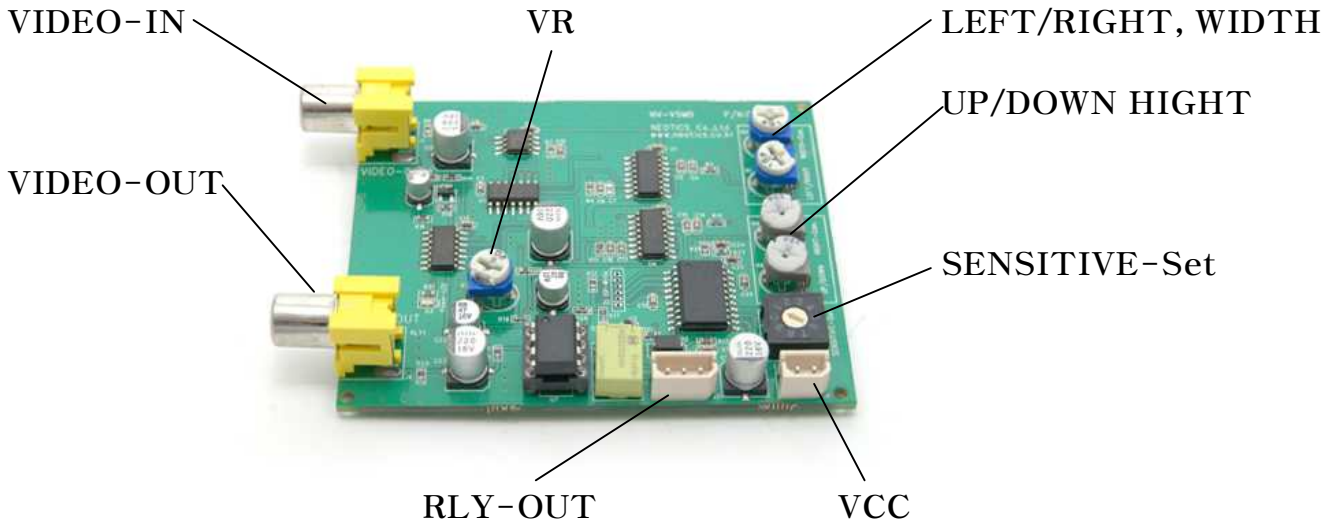
2. Features & Applications.

- . Auto surveillance on the input images on CCTV etc.
- . Auto surveillance on the full screen or on the specified range.
- . Able to cope with slow/fast movement depending on preset reception sensitivity.
- . Relay being built in the circuit, it can function as auto video recorder or alarm call.
- . Miniature sized, it is easily applicable to your products.

3. Video Screen Motion(Change) Detector Unit Specification.

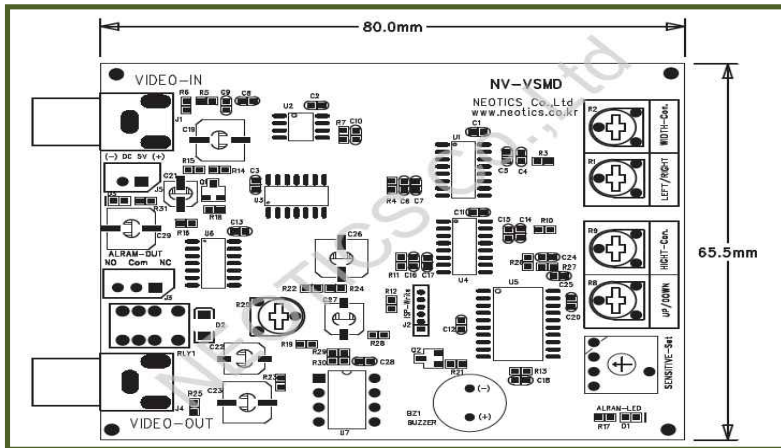
Item	Specification
Operating Voltage	DC 5V
Operating Current	Under 50mA
Detection Range setting	up/down/right/left volume
Exterior Connection Control	switch connection by relay output
SENSITIVE-Set	0 to 9 (Switch)
Function display LED	2 (power LED, detection LED)
Output/Input Terminal	RCA video input/output terminal

4. Video Screen Motion(Change) Detector Unit Description.

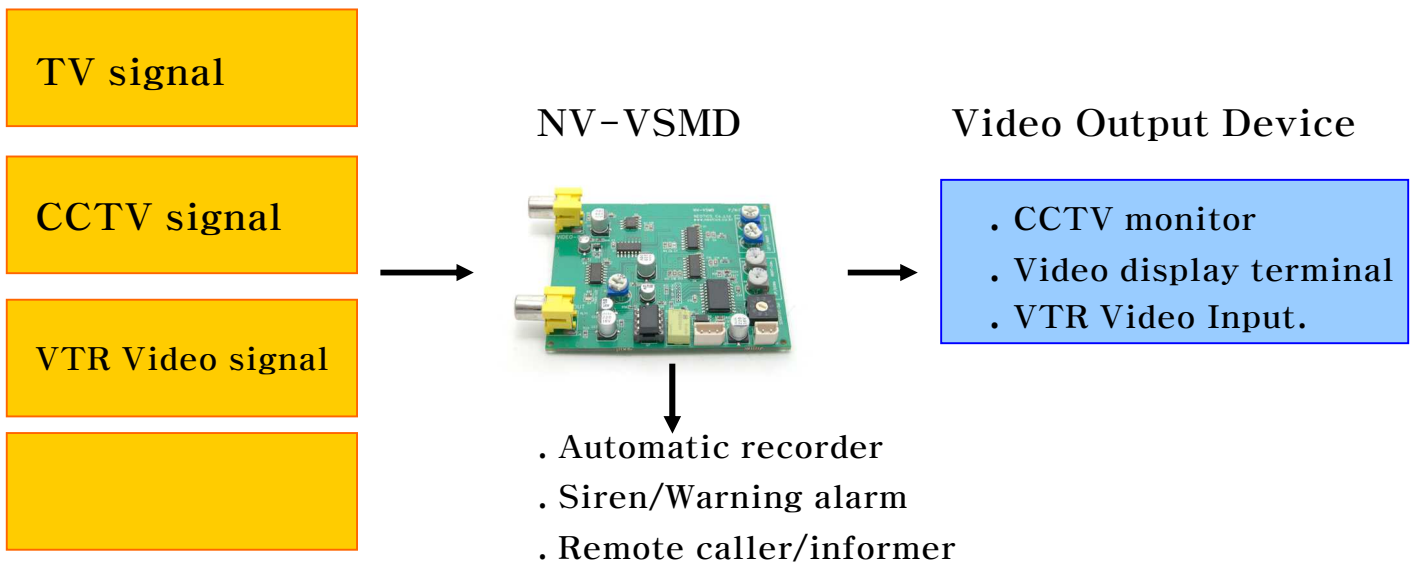


- * VIDEO-IN : video input terminal.
- * VCC : power input DC 5V.
- * RLY-OUT : relay contact output.
(COM-NO on use : regular-off, on detecting-on)
(COM-NC on use : regular-on, on detecting-off)
- * VIDEO-OUT : video output terminal
- * LEFT/RIGHT, WIDTH : detection range setting volume
(LEFT/RIGHT : move detection range, right/left)
(WIDTH-Con : range size setting)
- * UP/DOWN HIGHT : detection range setting volume
(UP/DOWN : move detection range, up/down)
(HIGHT-Con : range size setting)
- * SENSITIVE-Set : Switch setting from 0 to 9 : lower number-higher sensitivity.
(regular-3 or 4)
- * VR : Display Quality set.

5. Video Screen Motion(Change) Detector Unit Size.



6. Video Screen Motion(Change) Detector Unit instructions.



******* Caution*******

1. Check the features first to connect with other equipment.
2. This circuit is strictly tested.
3. The developer, manufacturer or dealer is not responsible for any malfunctioning/damage caused by connection with other equipment.
4. Appropriate permit /approval is required for some products utilizing this module, depending on functions and usages.

- For more information and inquiry, please refer to the sites below.

R&D : <http://www.neotics.co.kr>
 Sales : <http://www.logiccamp.co.kr>

E-Mail : neotics@neotics.co.kr
 E-Mail : sales@logiccamp.co.kr