

# 2.4GHz Video/Audio Receiver Unit

**NR-AV24RU** Ver 7.0

Related Products : NR-AV24HTU (2.4GHz A/V Transmitter Unit 150mW)

NR-AV24HTM (2.4GHz A/V Transmitter Module 150mW)

NR-AV24LTU (2.4GHz A/V Transmitter Unit 10mW)

NR-AV24LTM (2.4GHz A/V Transmitter Module 10mW)

NR-AV24RM (2.4GHz A/V Receiver Module)



### 1. 2.4GHz Video/Audio Receiver Unit.

- \* NR-AV24RU is a 2.4 GHz Video/Audio(stereo) Receiver for ISM band.
- \* NR-AV24RU can receive both NTSC and PAL video signals wirelessly so that CCTV/VTR/ Video camera can be used in the places where wired connection is not available.
- \* NR-AV24RU, being able to receive both NTSC and PAL, it can be used for Korean as well as foreign products design without alteration of module.
- \* NR-AV24RU adopts FM-method modulation/demodulation for high quality wireless video/audio reception, so you get clearer picture and higher sound quality.
- \* NR-AV24RU is developed as IC chip dedicated to video/audio reception, minimizing the components use. It can work on low power as well.
- \* NR-AV24RU, being developed in such a way as PLL Synthesizer, supplies stable frequency and also can alter frequency into maximum 4 receive channels.

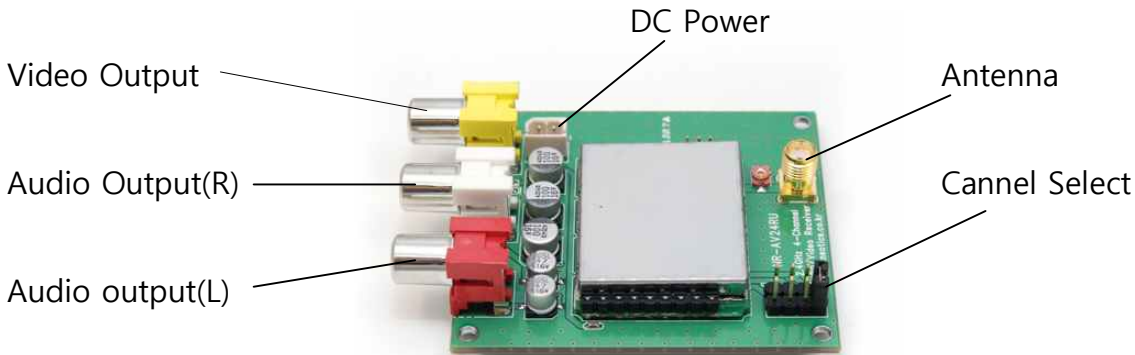
### 2. Features & Applications.

- . Clearer picture and higher sound quality, using 2.4 GHz
- . Receive of video and audio signals.
- . Receive both NTSC/PAL signals.
- . Supplies stable frequency as PLL Synthesizer, and can avail maximum 4 different channels.
- . Requiring only a few components around the module, it is easy to apply.

### 3. 2.4GHz Video/Audio Receiver Unit Specification.

Item	Specification	
Supply Voltage	DC 5V	
Supply Current	Under 200mA	
Channel	Max 4-Channel	
Input Signal Level	-85 ~ -100dBm	
Antenna Impedance	50Ω	
Video Output Level	1Vp-p	
Audio Output Level	3Vp-p	
Frequency	2.414GHz(1-Ch)	2.432GHz(2-Ch)
	2.450GHz(3-Ch)	2.468GHz(4-Ch)

**4. 2.4GHz Video/Audio Receiver Unit Description.**

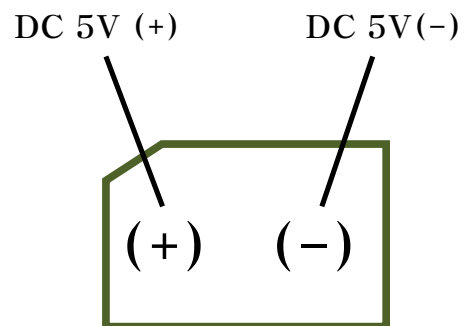
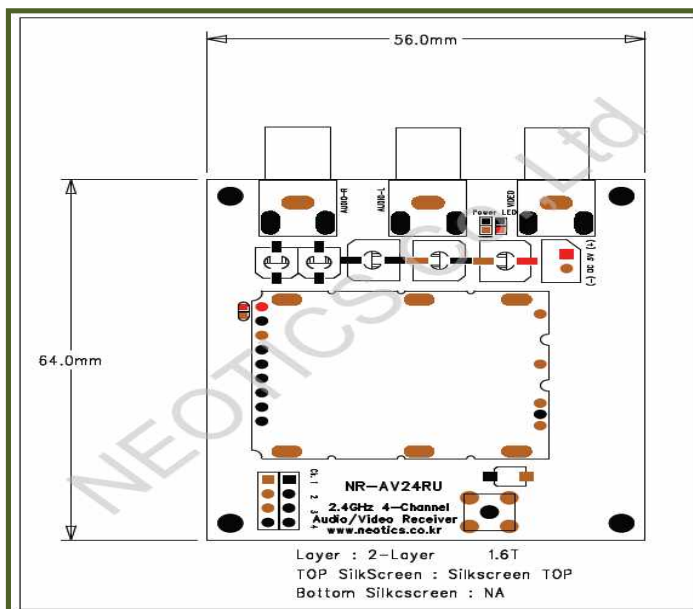


- . VIDEO-Out : Output video signal.
- . AUDIO-R Out : Output right audio stereo signal.
- . AUDIO-L Out : Output left audio stereo signal.
- . ANT : Connect antenna.
- . Channel Set : Set transmit channel.

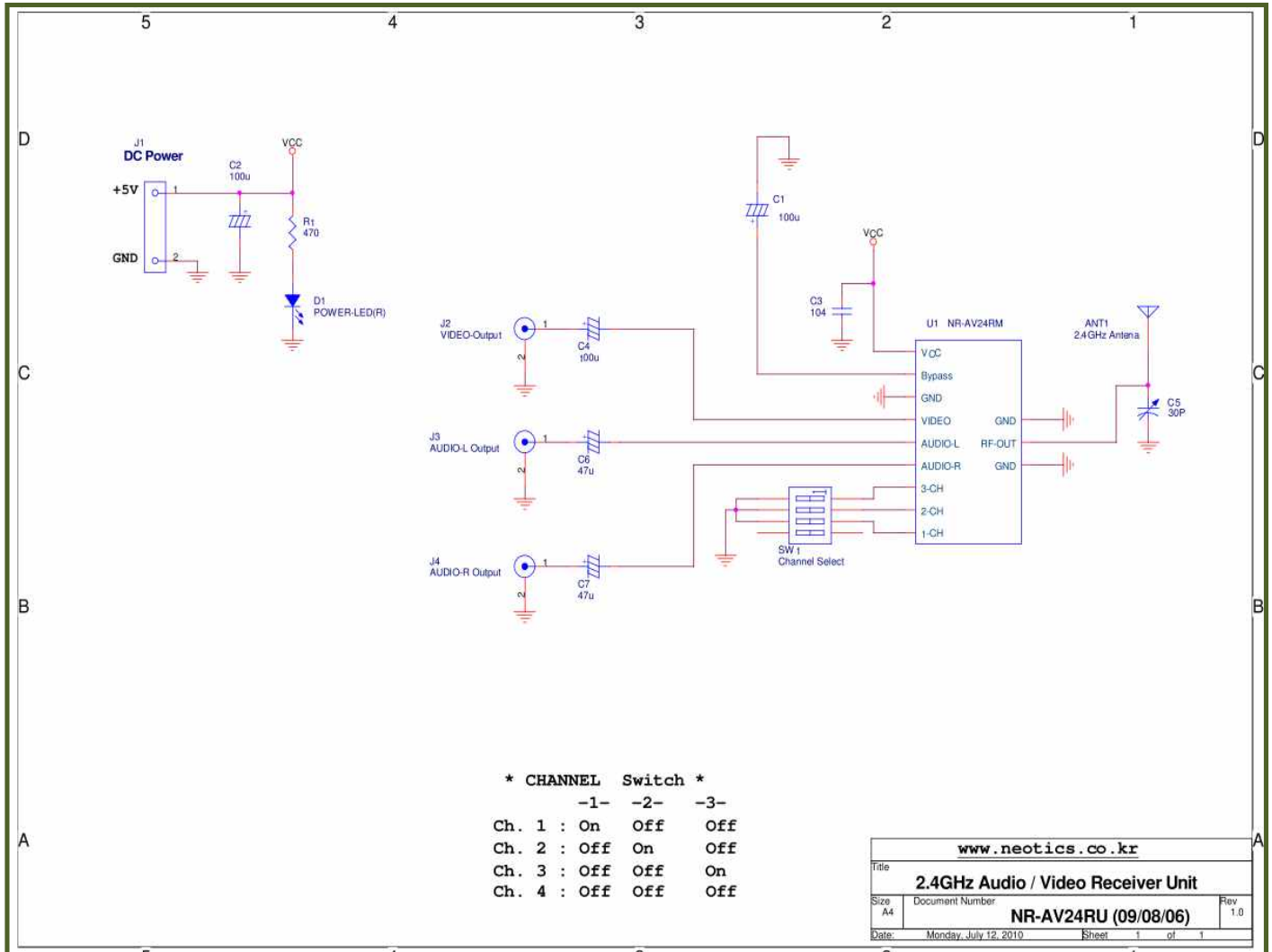
In case of Channel no. 1 chosen, put Jumper into CH-1(Close).  
 In case of Channel no. 2 chosen, put Jumper into CH-2(Close).  
 In case of Channel no. 3 chosen, put Jumper into CH-3(Close).  
 In case of Channel no. 4 chosen, put Jumper into CH-4(Close).

- . DC Power : Input Power DC 5V

**5. Evaluation Unit Size & Power Terminal Information.**



**6. 2.4GHz Video/Audio Receiver Unit Circuit.**



**\*\*\*\*\* Caution\*\*\*\*\***

1. Check the features first to connect with other equipment.
2. This circuit is strictly tested.
3. The developer, manufacturer or dealer is not responsible for any malfunctioning/damage caused by connection with other equipment.
4. Appropriate permit /approval is required for some products utilizing this module, depending on functions and usages.

● **For more information and inquiry, please refer to the sites below.**

R&D : <http://www.neotics.co.kr>  
 Sales : <http://www.logiccamp.co.kr>

E-Mail : [neotics@neotics.co.kr](mailto:neotics@neotics.co.kr)  
 E-Mail : [sales@logiccamp.co.kr](mailto:sales@logiccamp.co.kr)