

UHF Wireless Data Transmitter/Receiver Unit

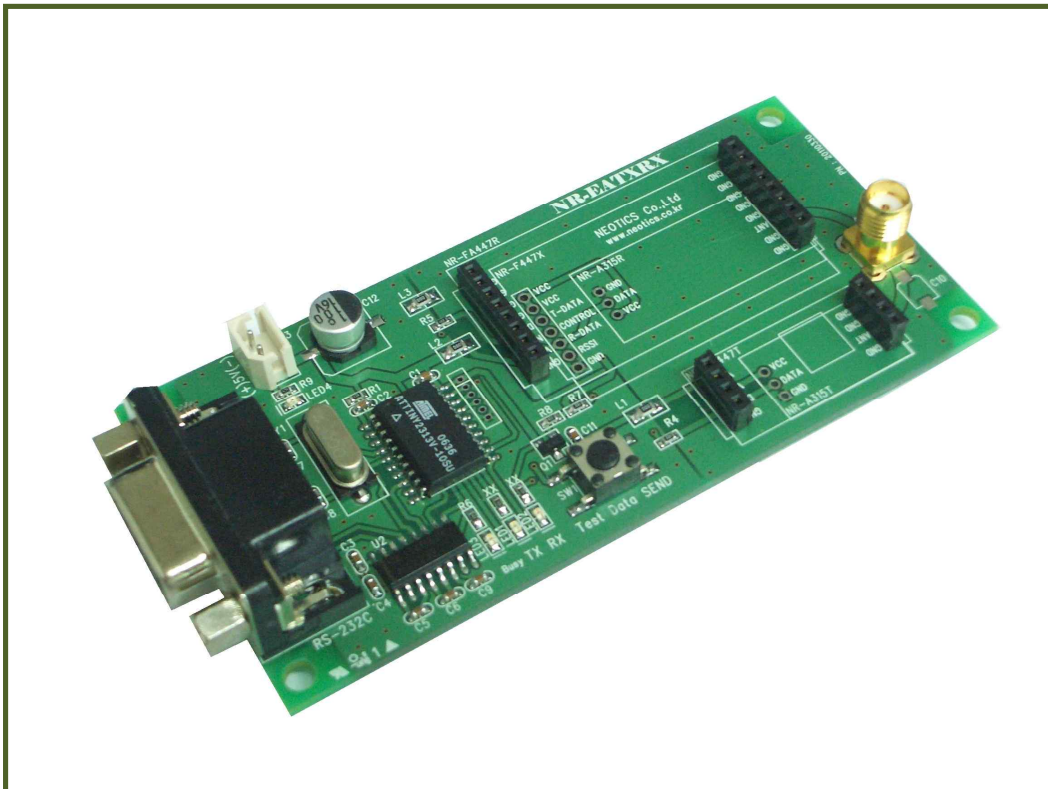
NR - EATXRX Ver 7.0

Related Products : NR-FA447T(UHF FSK Data Transmitter Module)

NR-FA447R(UHF FSK Data Receiver Module)

NR-A315T(UHF ASK Data Transmitter module)

NR-A315R(UHF ASK Data Receiver Module)



1. UHF Wireless Data Receiver/Transmitter Evaluation Unit.

- * This is a user support Test Board for testing basic operation as well as performance of data transmission/reception. (for both ASK and FSK transmitter/receiver)
- * You can refer to UHF Data transmitter/receiver for exact use and connection method/ component use in circuit development.
- * You can learn basic use and circuit composition for wireless communication using transmitter/receiver user kit prior to actual circuit development. This unit is aimed for smooth communication with user interface to be developed.

2. Features.

- . Lets you learn the accurate use of UHF Data Transmitter/Receiver.
- . The built-in chip for RC-232C makes it possible to practice communication test with the computer or other user interface boards.
- . Without setting or adjustment, 9600bps wireless communication test is possible.

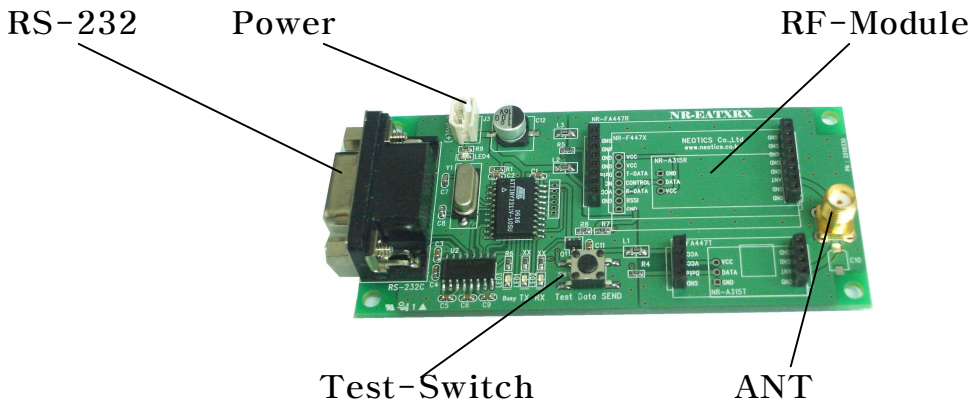
3. Applications.

- . home automation (controlling of air conditioner, TV, refrigerator, curtain etc.)
- . security equipments & Remote controlling of sensor, remote controller, alarm, lamp etc.
- . Suitable where wiring work(cable) is difficult/impossible to do.
- . Suitable in case wiring work requires high cost.

4. UHF Wireless Data Receiver/Transmitter Evaluation Unit Specification.

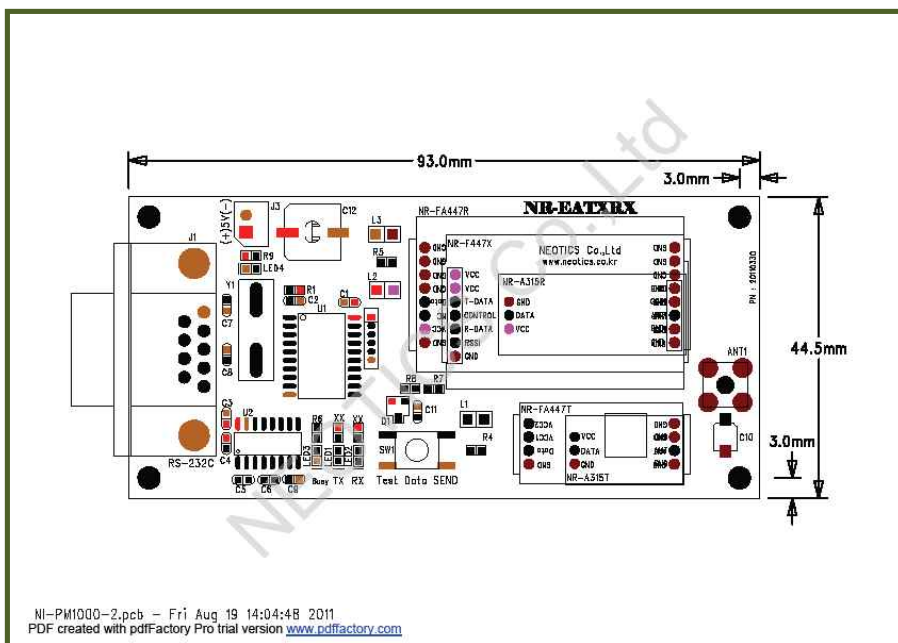
Item	Specification
Power	DC 5V
Current	Under 50mA
Interface	RS-232C
Protocol	9600-1-8-N
Display	LED
Control Code	Manchester Code

4. UHF Wireless Data Receiver/Transmitter Evaluation Unit Information.



- RS-232C : Data transmission/reception using RS-232C Port.
- ANT : Antenna connection terminal.
- Test Switch : Test Data transmitting Switch.
- RF-Module : Installment of transmitter/receiver module.
- Power : Connect power DC5V.

5. UHF Wireless Data Receiver/Transmitter Evaluation Unit Size.

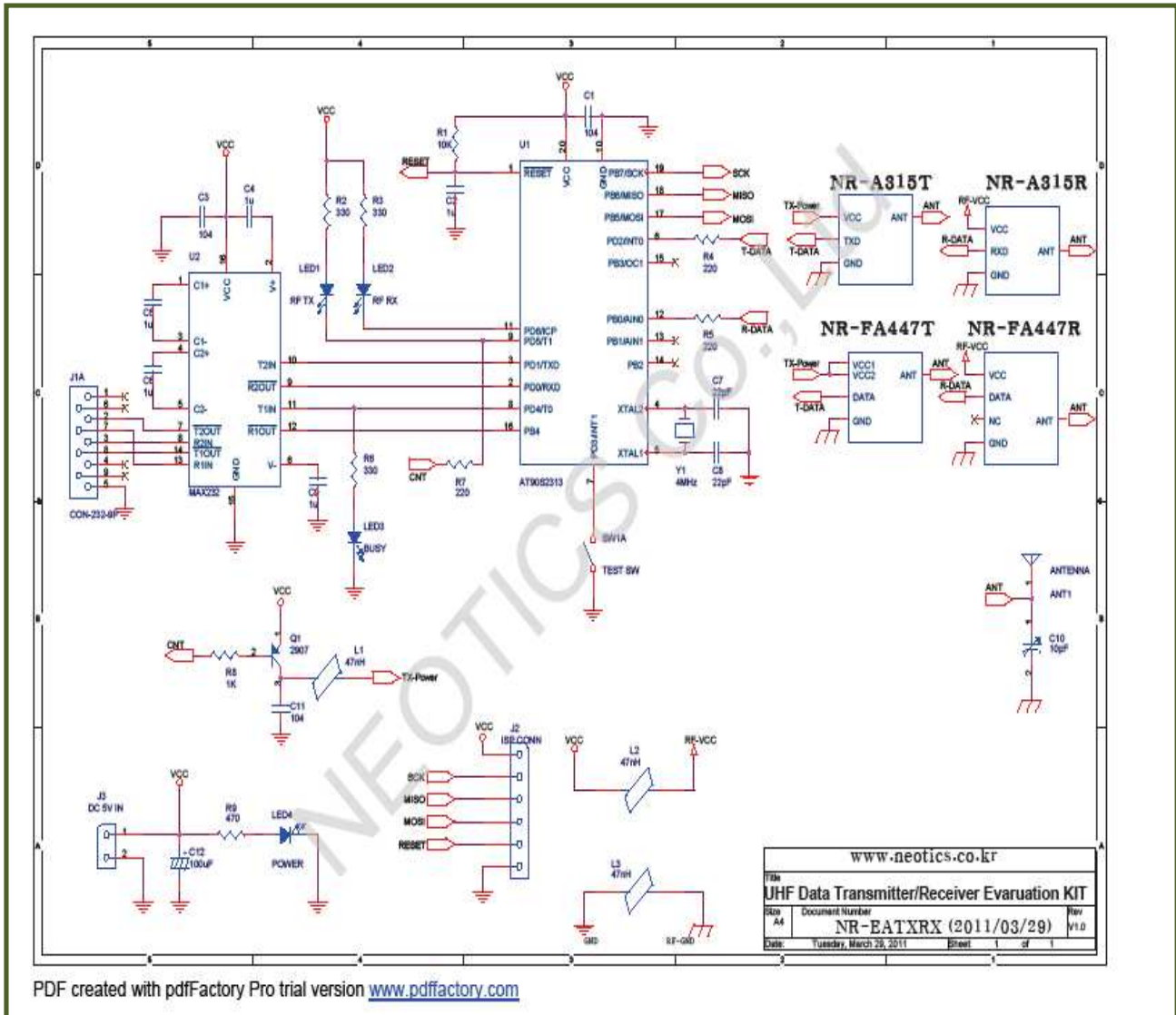


NI-PM1000-2.pcb - Fri Aug 19 14:04:48 2011
 PDF created with pdfFactory Pro trial version www.pdffactory.com

R&D : <http://www.neotics.co.kr>
 Sales : <http://www.logiccamp.co.kr>

E-Mail : neotics@neotics.co.kr
 E-Mail : sales@logiccamp.co.kr

5. UHF Wireless Data Receiver/Transmitter Evaluation Unit Circuit.



PDF created with pdfFactory Pro trial version www.pdffactory.com

***** Caution*****

1. Check the features first to connect with other equipment.
 2. This circuit is strictly tested.
 3. The developer, manufacturer or dealer is not responsible for any malfunctioning/damage caused by connection with other equipment.
 4. Appropriate permit /approval is required for some products utilizing this module, depending on functions and usages.
- For more information and inquiry, please refer to the sites below.

R&D : <http://www.neotics.co.kr>
 Sales : <http://www.logiccamp.co.kr>

E-Mail : neotics@neotics.co.kr
 E-Mail : sales@logiccamp.co.kr